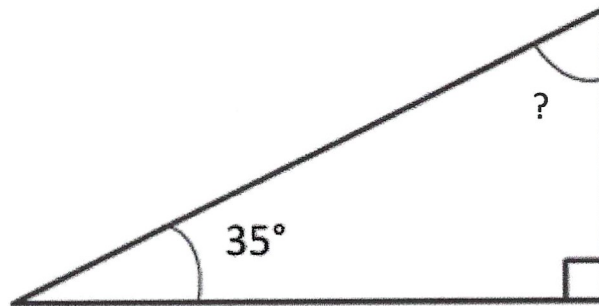


Name Key
Mrs. Roubos

Date _____
Period _____

Directions: A student's work is written below. Do you think the student solved this question correctly? If so, explain why. If not, explain the mistake that they made and then solve it correctly.

1) Solve for the missing angle in the triangle below.



$$\begin{array}{r} 35 + x = 180 \\ -35 \quad -35 \\ \hline x = 145 \end{array}$$

The measure of the missing angle is 145°

NO. They did not solve it correctly. They forgot to add the 90° angle to the 35 and the x

$$\begin{array}{r} 35 + 90 + x = 180 \\ 125 + x = 180 \\ -125 \quad -125 \\ \hline x = 55 \end{array}$$